

FREE OM SHOWERS

Freedom Accessible Shower 48" x 37"



Shower shown with available accessories
Shower stall comes standard in white.

30 Year Manufacturer's Limited Warranty

Model APF4836BF4P

48" x 37" x 78"

4-piece for remodeling

**7/8" barrier free threshold
with pre-leveled and
reinforced shower base
for easy installation**

3 molded soap ledges

**Durable, luxurious and easy
to clean gelcoat fiberglass
with 8" tile pattern**

**Full plywood backing in
walls offers strength and
easy installation of
accessories**

**Accessories available:
Grab bars, padded folding
shower seat, collapsible
water retainer, weighted
shower curtain and rod,
slide bar with handheld
shower, pressure balance
valve, caulkless drain**

FREE OM SHOWERS

MODEL: APF4836BF4P Accessible Shower

Submittal Data

Product Features

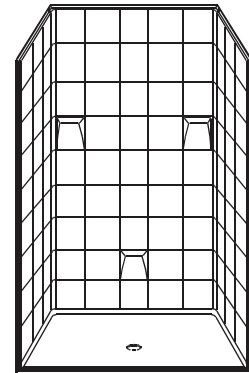
- 48" x 37" x 78"
- 4-piece for remodeling
- 7/8" barrier free threshold
- Self-supporting and pre-leveled shower base eliminates mud setting
- Full fiberglass encapsulated wood backing on walls
- Tile pattern easy to clean gelcoat finish
- 3 molded soap ledges
- Textured slip-resistant floor
- Center drain location

Code Compliance

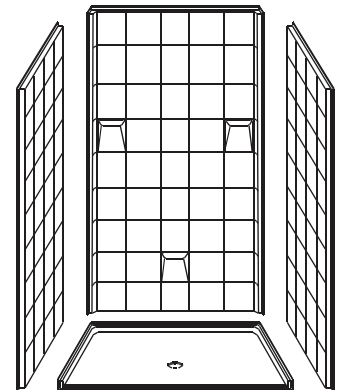
- IPC International Plumbing Code
- UPC Uniform Plumbing Code
- ANSI Z124.2 Standards for Plastic Showers
- Complies with CSA Standards

Optional Accessories (Installed at job site)

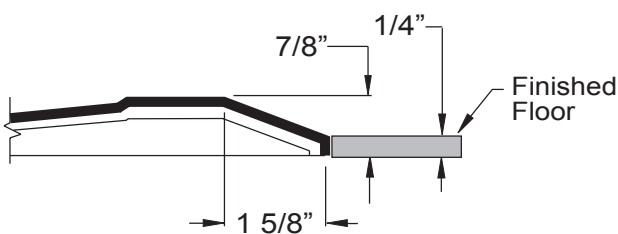
- Collapsible Water Retainer
- Folding Shower Seat
- Caulkless Drain
- Grab Bars
- Shower Rod and Curtain
- Pressure Balance Valve with hand-held Shower and Slide Bar



PERSPECTIVE VIEW - N.T.S.

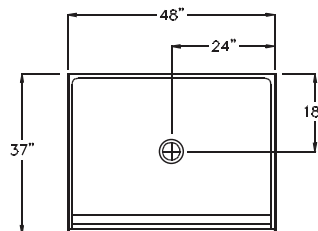


ASSEMBLY VIEW - N.T.S.

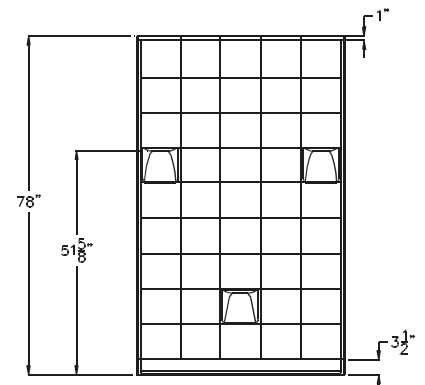


THRESHOLD VIEW

Inside dimensions:
45 3/4" wide x 34 7/8" deep
Weight capacity:
500 LBs



TOP VIEW

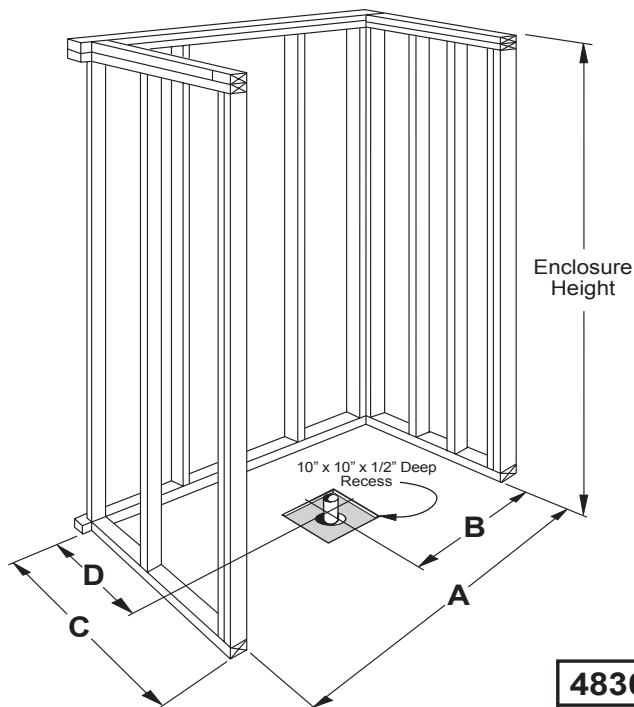
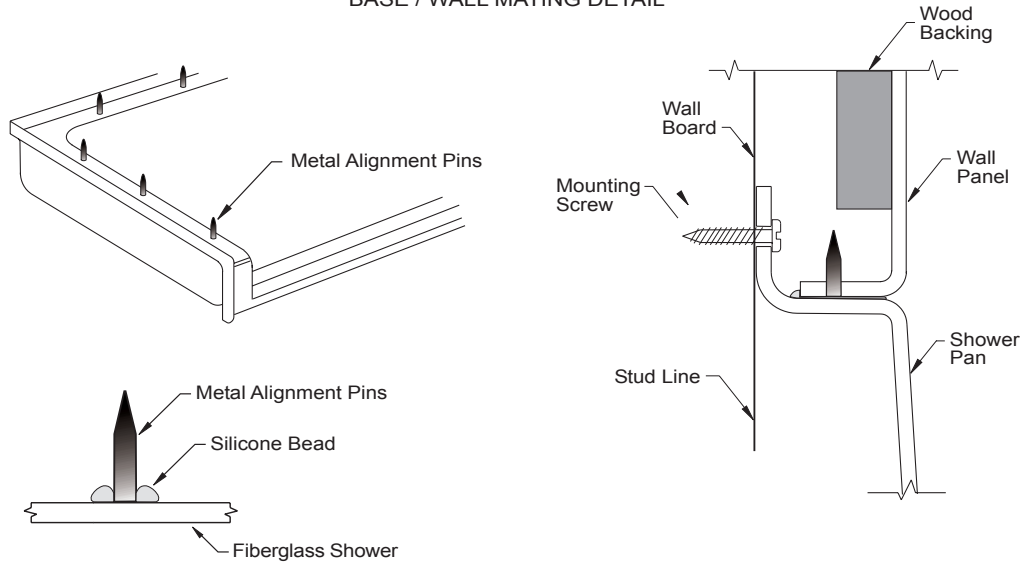


FRONT ELEVATION

FREEDOM SHOWERS

MODEL: APF4836BF4P Freedom Accessible Shower Submittal Data - Installation

BASE / WALL MATING DETAIL



	A	B	C	D
4836 4P	48 1/4"	24 1/8"	37 1/4"	18 1/8"