



## Freedom Accessible Shower 60"x31" with End Drain

Model APF6030BF5P

60" x 31" x 78"

5-piece for remodeling

1" barrier free threshold  
with pre-leveled and  
reinforced shower base  
for easy installation

3 molded soap ledges

Durable, luxurious and  
easy to clean gelcoat  
fiberglass with 8" tile pattern

Full plywood backing in  
walls offers strength and  
easy installation of  
accessories

Accessories available:  
Grab bars, padded folding  
shower seat, collapsible  
water retainer, weighted  
shower curtain and rod,  
slide bar with handheld  
shower, pressure balance  
valve, caulkless drain



Shower shown with available accessories  
Shower stall comes standard in white.

**30 Year Manufacturer's Limited Warranty**

# FREE OM SHOWERS

## MODEL: APF6030BF5P Freedom Accessible Shower

### Submittal Data

#### Product Features

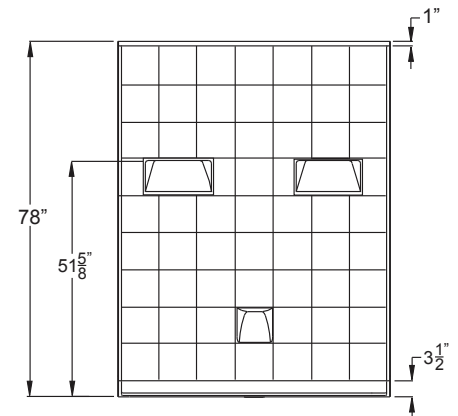
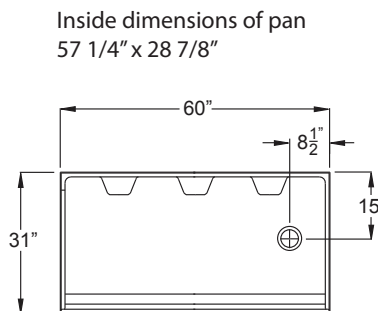
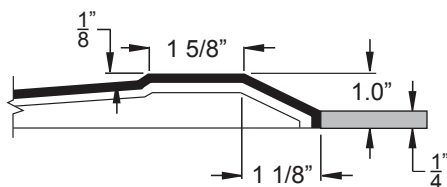
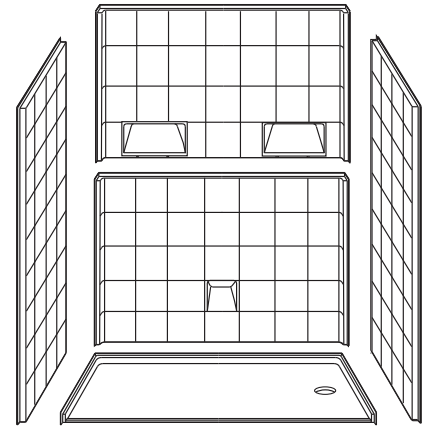
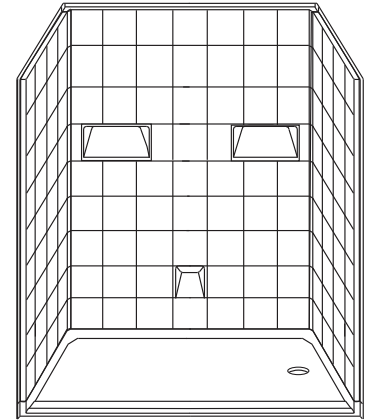
- 60" x 31" x 78"
- 5-piece for remodeling
- 1" barrier free threshold
- Self-supporting and pre-leveled shower base eliminates mud setting
- Full fiberglass encapsulated wood backing on walls
- tile pattern easy to clean gelcoat finish
- 3 molded soap ledges
- Textured slip-resistant floor
- Left or Right drain location

#### Code Compliance

- IPC International Plumbing Code
- UPC Uniform Plumbing Code, Complies with CSA Standards
- ANSI Z124.2 Standards for Plastic Showers

#### Optional Accessories (Installed at job site)

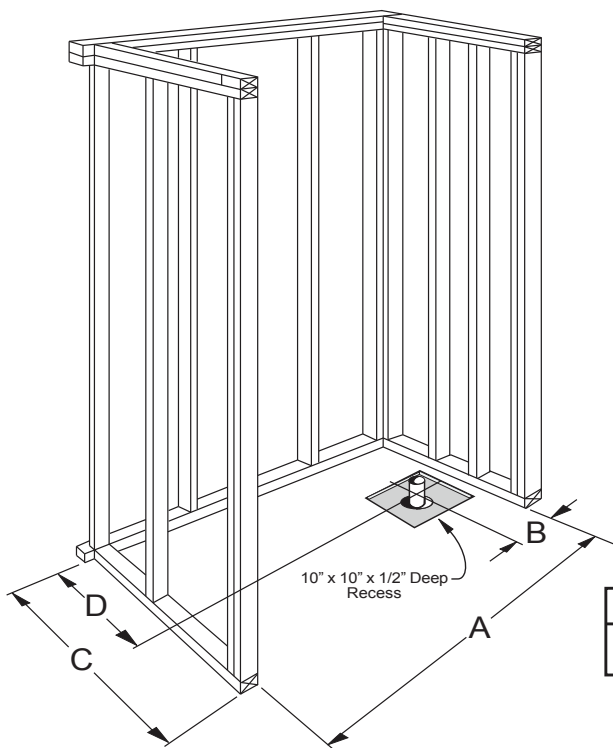
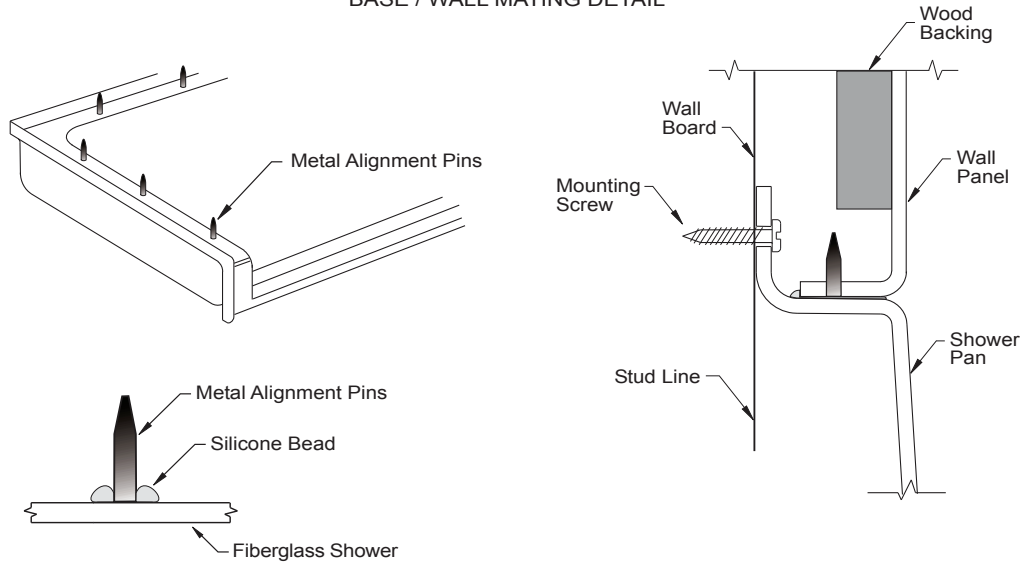
- Collapsible Water Retainer
- Folding Shower Seat
- Caulkless Drain
- Grab Bars
- Shower Rod and Curtain
- Pressure Balance Valve with hand-held Shower and Slide Bar



# FREEDOM SHOWERS

## MODEL: APF6030BF5P Freedom Accessible Shower Submittal Data - Installation

BASE / WALL MATING DETAIL



A	B	C	D
60 1/4"	8 1/2"	31 1/4"	15"