



Freedom Accessible Shower 60" x 33"

Model APF6033BF5PC

60" x 33 3/8" x 77 3/4"

5-piece for remodeling

3/4" barrier free threshold
with pre-leveled and
reinforced shower base
for easy installation

3 molded soap ledges

Durable, luxurious and
easy to clean gelcoat
fiberglass with 8" tile pattern

Full plywood backing in
walls offers strength and
easy installation of
accessories

Accessories available:
Grab bars, padded folding
shower seat, collapsible
water retainer, weighted
shower curtain and rod,
slide bar with handheld
shower, pressure balance
valve, caulkless drain



Shower shown with available accessories
Shower stall comes standard in white

30 Year Manufacturer's Limited Warranty

FREE OM SHOWERS

MODEL: APF6033BF5PC Freedom Accessible Shower

Submittal Data

Product Features

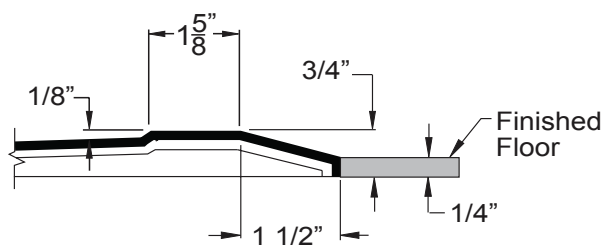
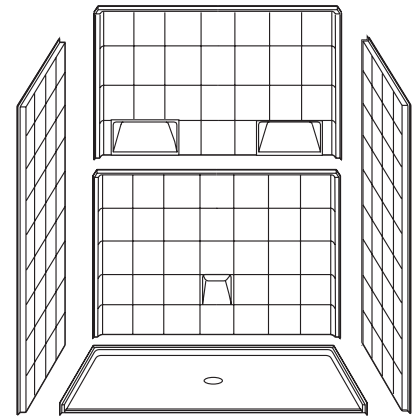
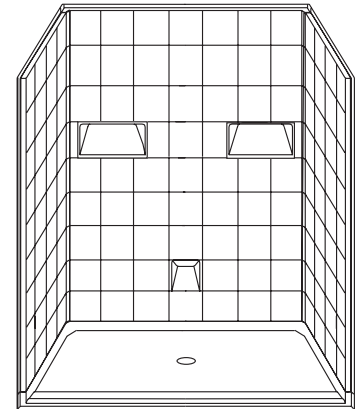
- 60" x 33 3/8" x 77 3/4"
- 5-piece for remodeling
- 3/4" barrier free threshold
- Self-supporting and pre-leveled shower base eliminates mud setting
- Full fiberglass encapsulated wood backing on walls
- tile pattern easy to clean gelcoat finish
- 3 molded soap ledges
- Textured slip-resistant floor
- Center drain location

Code Compliance

- IPC International Plumbing Code
- UPC Uniform Plumbing Code
- ANSI Z124.2 Standards for Plastic Showers
- CSA Canadian Standards Association

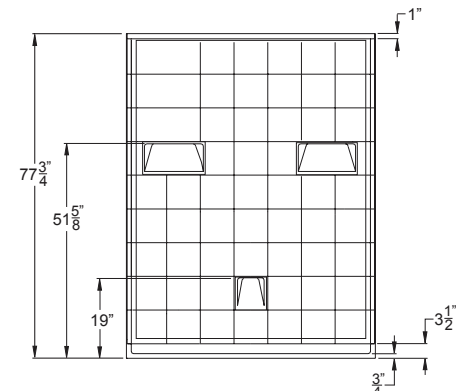
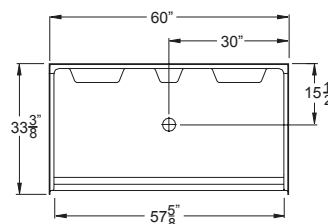
Optional Accessories (Installed at job site)

- Collapsible Water Retainer
- Folding Shower Seat
- Caulkless Drain
- Grab Bars
- Shower Rod and Curtain
- Pressure Balance Valve with hand-held Shower and Slide Bar



THRESHOLD VIEW

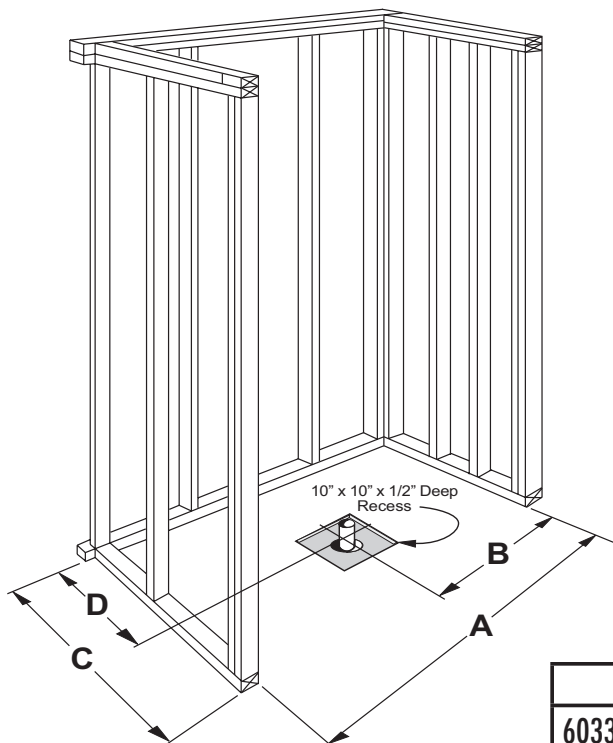
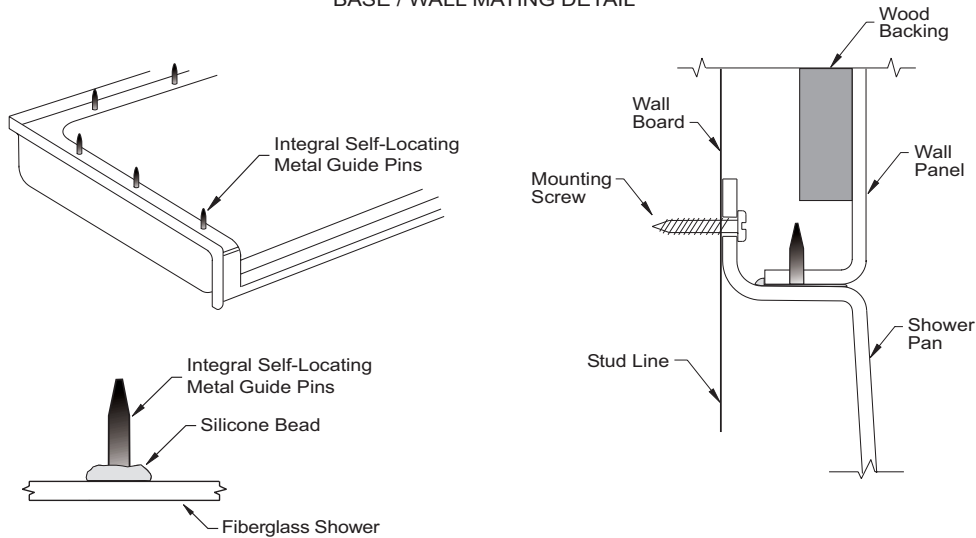
Inside dimensions of pan
57 5/8" x 31 1/4"



FREE OM SHOWERS

MODEL: APF6033BF5PC Freedom Accessible Shower Submittal Data - Installation

BASE / WALL MATING DETAIL



	A	B	C	D
6033 5P	60"	30"	33 3/8"	15 1/2"