



Freedom Accessible Shower 60" x 49"

Model APF6048BF5P

60" x 49" x 78"

5-piece for remodeling

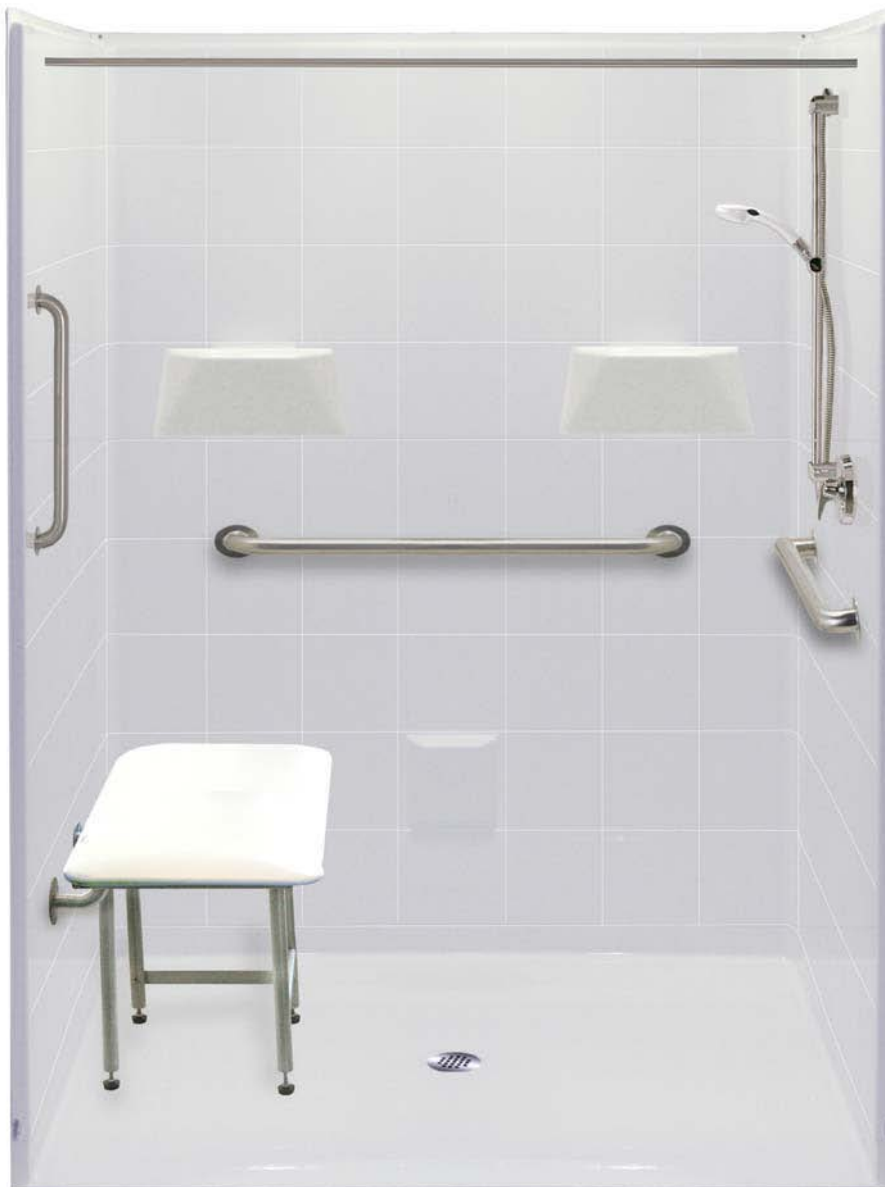
7/8" barrier free threshold
with pre-leveled and
reinforced shower base
for easy installation

3 molded soap ledges

Durable, luxurious and
easy to clean gelcoat
fiberglass with 8" tile pattern

Full plywood backing in
walls offers strength and
easy installation of
accessories

Accessories available:
Grab bars, padded folding
shower seat, collapsible
water retainer, weighted
shower curtain and rod,
slide bar with handheld
shower, pressure balance
valve, caulkless drain



Shower shown with available accessories
Shower stall comes standard in white.

30 Year Manufacturer's Limited Warranty

FREE OM SHOWERS

MODEL: APF6048BF5P Freedom Accessible Shower

Submittal Data

Product Features

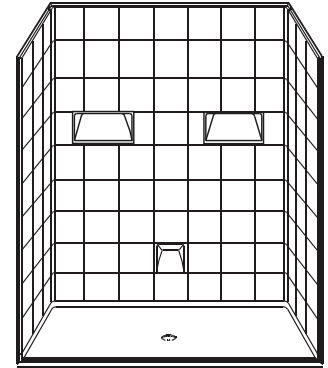
- 60" x 49" x 78"
- 5-piece for remodeling
- 7/8" barrier free threshold
- Self-supporting and pre-leveled shower base eliminates mud setting
- Full fiberglass encapsulated wood backing on walls
- tile pattern easy to clean gelcoat finish
- 3 molded soap ledges
- Textured slip-resistant floor.
- Center drain location.

Code Compliance

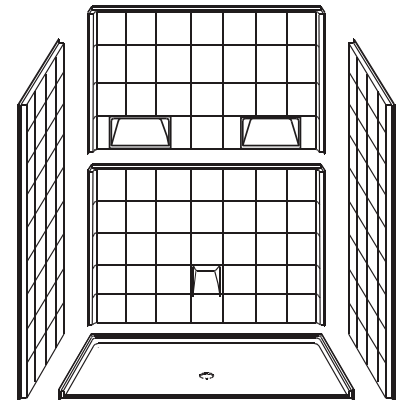
- IPC International Plumbing Code
- UPC Uniform Plumbing Code, Complies with CSA Standards
- ANSI Z124.2 Standards for Plastic Showers

Optional Accessories (Installed at job site)

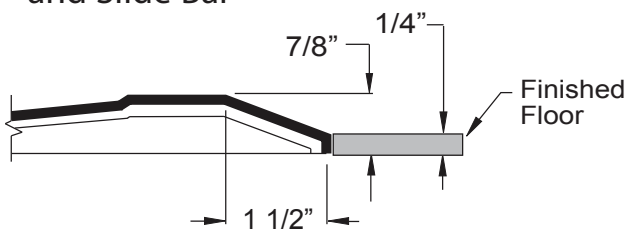
- Collapsible Water Retainer
- Folding Shower Seat
- Caulkless Drain
- Grab Bars
- Shower Rod and Curtain
- Pressure Balance Valve with hand-held Shower and Slide Bar



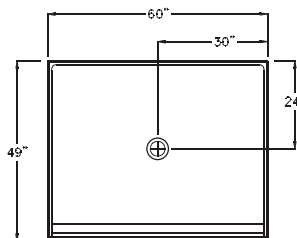
PERSPECTIVE VIEW - N.T.S.



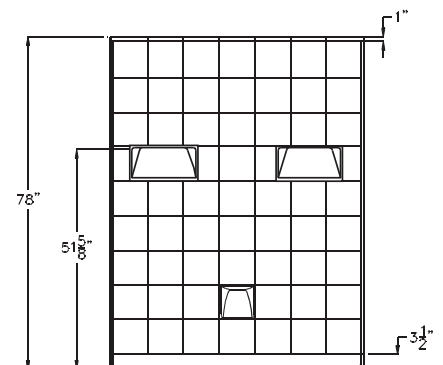
ASSEMBLY VIEW - N.T.S.



THRESHOLD VIEW



TOP VIEW

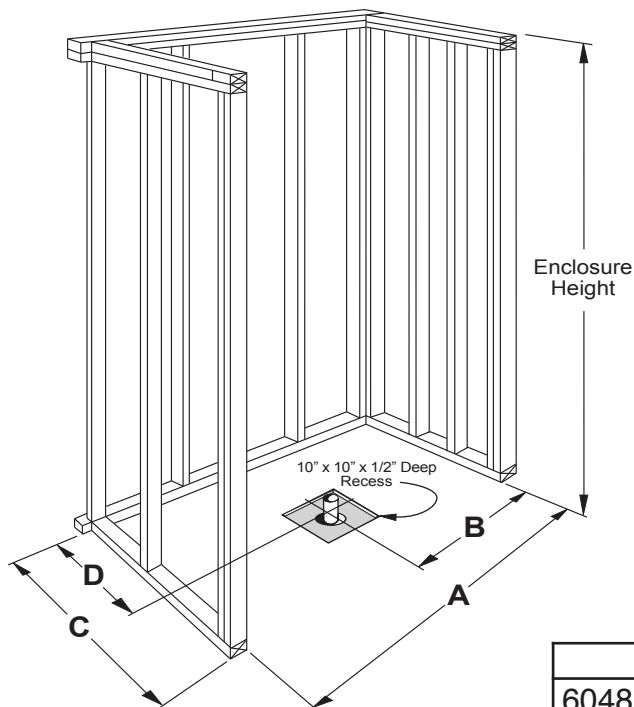
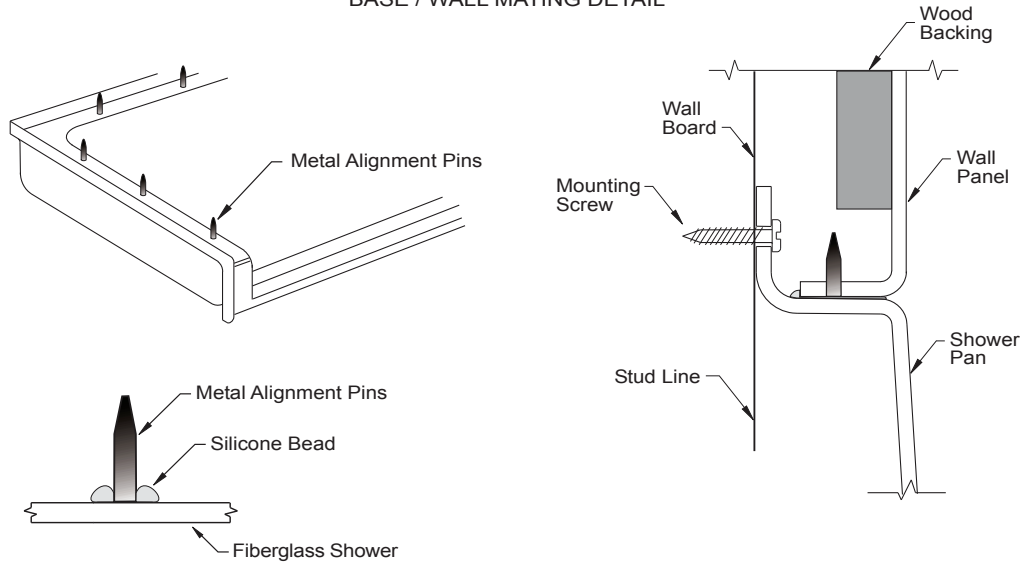


FRONT ELEVATION

FREEDOM SHOWERS

MODEL: APF6048BF5P Freedom Accessible Shower Submittal Data - Installation

BASE / WALL MATING DETAIL



	A	B	C	D
6048 5P	60 1/4"	30 1/8"	49 1/4"	24 1/8"