



Freedom Accessible Shower 60" x 31"

Model
APFXST6030BFKD1

60" x 31" x 82"

4-piece for remodeling

**1" barrier free threshold
reinforced shower base for
easy installation**

2 molded soap ledges

**Durable, luxurious and
easy to clean gelcoat
fiberglass with 6" tile pattern**

**Full plywood backing in
walls offers strength and
easy installation of
accessories**

**Accessories available:
Grab bars, padded folding
shower seat, collapsible
water retainer, weighted
shower curtain and rod,
slide bar with handheld
shower, pressure balance
valve, caulkless drain**



Shower shown with available accessories
Shower stall comes standard in white.

FREE OM SHOWERS

MODEL: APFXST6030BFKD1 Freedom Accessible Shower

Submittal Data

Product Features

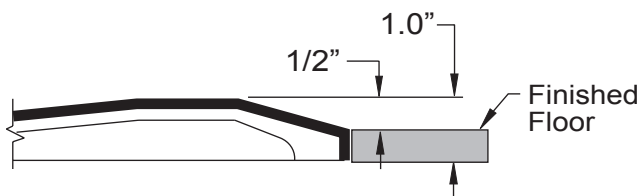
- 60" x 31" x 82"
- 4-piece for remodeling
- 1" threshold
- Self-supporting shower base eliminates mud setting
- Full fiberglass encapsulated wood backing on walls
- Tile pattern easy to clean gelcoat finish
- 2 molded soap ledges
- Textured slip-resistant floor
- Left or Right drain location

Code Compliance

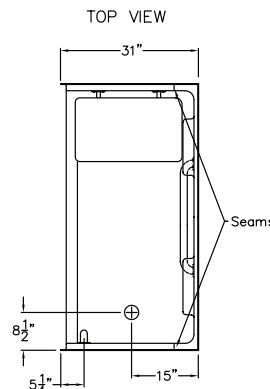
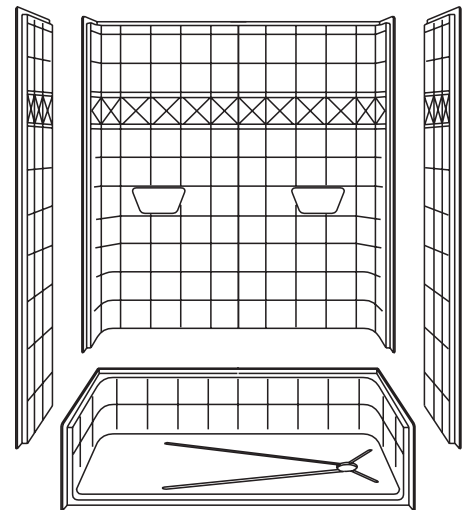
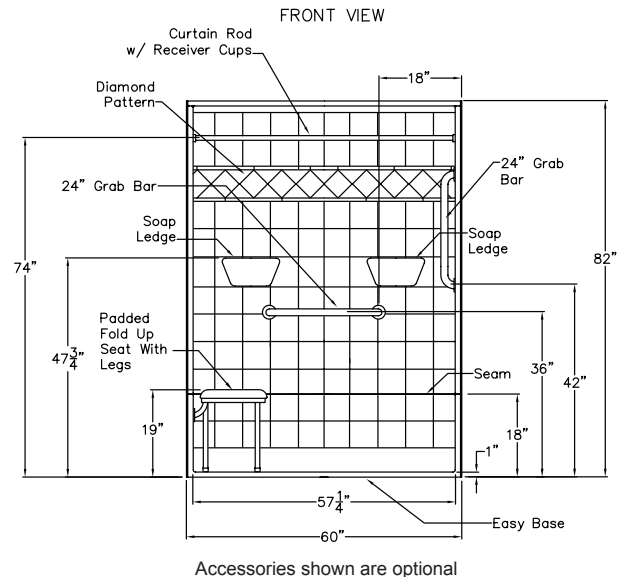
- IPC International Plumbing Code
- UPC Uniform Plumbing Code
- ANSI Z124.2 Standards for Plastic Showers

Optional Accessories (Installed at job site or at factory)

- Collapsible Water Retainer
- Folding Shower Seat
- Caulkless Drain
- Grab Bars
- Shower Rod and Curtain
- Pressure Balance Valve with hand-held Shower and Slide Bar



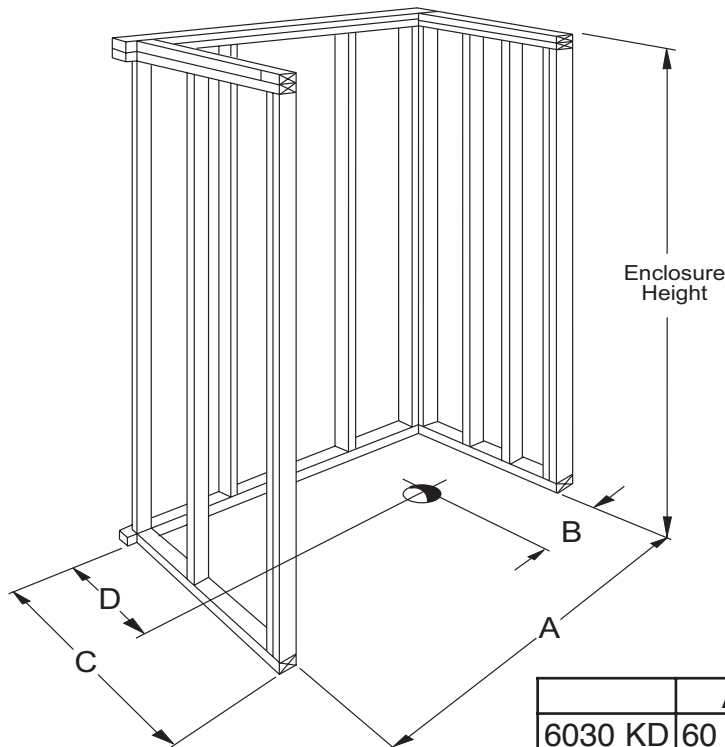
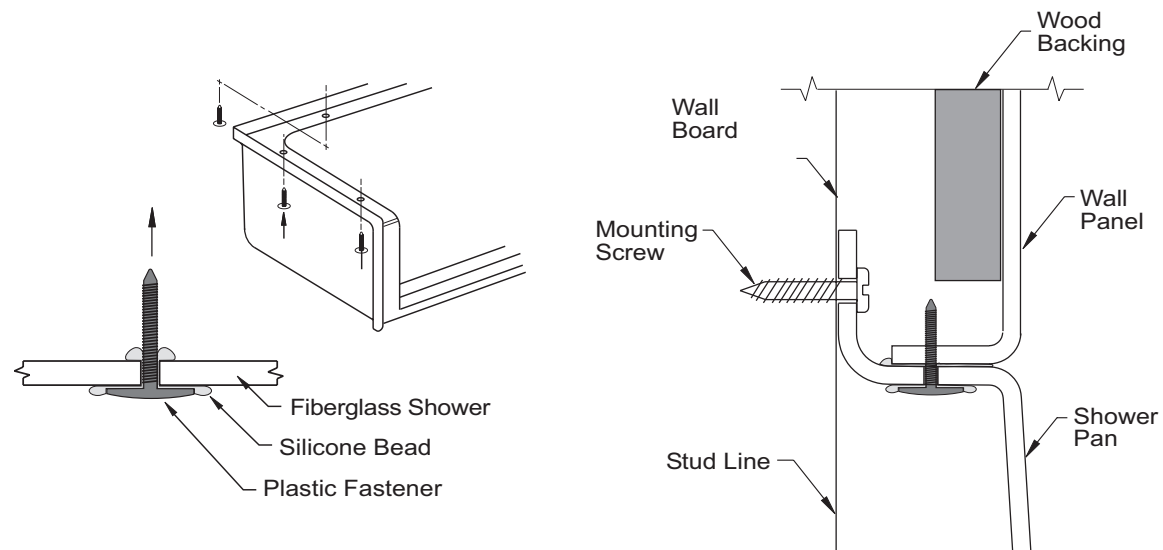
Made in America



FREE OM SHOWERS

MODEL: APFXST6030BFKD1 Freedom Accessible Shower Submittal Data - Installation

BASE / WALL MATING DETAIL



	A	B	C	D
6030 KD	60 1/4"	8 1/2"	31"	15"