

## Accessible Corner Shower API3LEN4242B75B



Shower shown with available accessories  
Comes standard in white, colour upgrades are available

**API3LEN4242B75B**

43" x 43" x 78"

3-piece for remodeling

3/4" barrier free threshold with pre-levelled and re-inforced shower base for easy installation.

3 molded soap ledges.

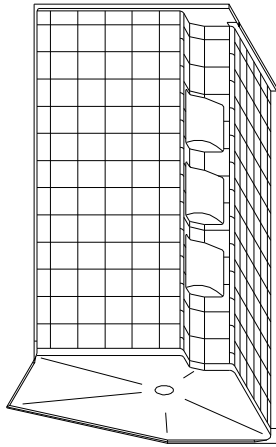
Durable, luxurious and easy to clean gelcoat fiberglass with 8" tile look.

Full plywood backing in walls offers strength and easy installation of accessories.

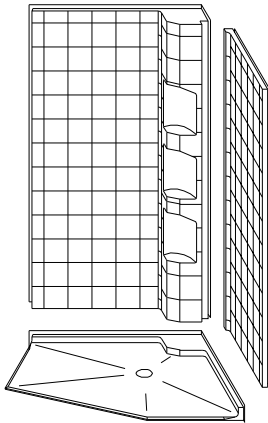
Accessories available:  
Grab bars, collapsible water retainer, weighted shower curtain and rod, glide bar with handheld shower, pressure balance valve, caulkless drain.

# MODEL: API3LEN4242B75B

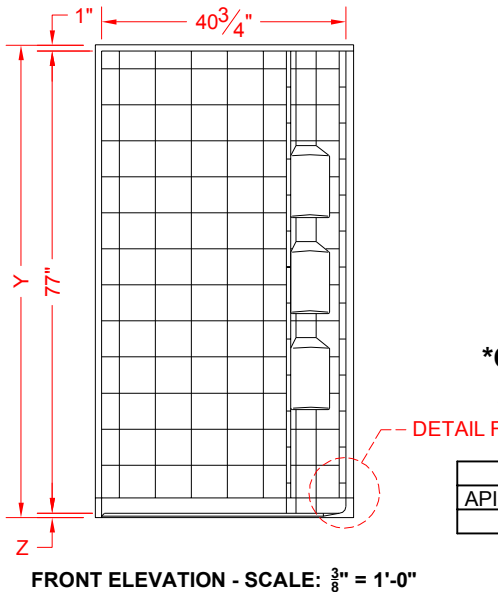
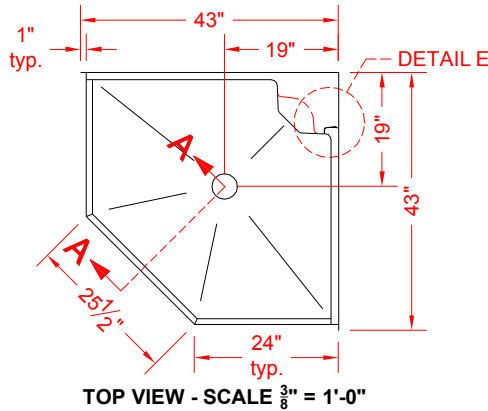
ALL ACCESSORIES OPTIONAL



PERSPECTIVE VIEW - N.T.S.  
MODEL SHOWN HERE AS:



ASSEMBLY VIEW - N.T.S.



## Features:

- Molded, 3 piece gelcoat/fiberglass shower module
- Available in various threshold heights
- "Eight inch Tile" wall finish, white (standard)
- Integral full wood backing for strength and unlimited accessory placement
- On all threshold, heights 1-1/2" or taller, no mud set is required
- On all threshold, heights 1-1/4" or shorter, no mud set is required, but an epoxy adhesive kit is supplied

## \*OTHER THRESHOLD HEIGHTS AVAILABLE UPON REQUEST

MODEL #	UNIT HEIGHT Y	THRESHOLD HEIGHT Z*
API3LEN4242B75B	78 3/4"	3/4" MIN.

\* - SEE BACK FOR DETAIL SECTIONS

## PRODUCT SPECIFICATIONS:

- Multi piece shower module shall be constructed of gelcoat/fiberglass with full integral plywood backing
- Rough-In: Stud opening +1/4" -0" Nominal Dimensions.

C.S.I. FORMAT SPECIFICATION TEXT AVAILABLE

## PRODUCT INFORMATION:

## ACCESSORIES:

### INSTALLED BY OTHERS:

- Mixing valve, pressure balanced, lever handle, preplumbed tree to supply elbow
- Curtain and rod
- Collapsible Rubber Water Retainer
- Semi-permanent Threshold Adaptor
- Caulkless drain

## CODES:

- Designed and manufactured in compliance with the following standards and codes:
- A.N.S.I. Z124.2 Standards for Plastic Showers
  - I.P.C. International Plumbing Code
  - U.P.C. Uniform Plumbing Code

## NOTICE OF LIMITATION:

1-877-947-7769  
www.Accessible-Bathrooms.com

We reserve the right to make revisions without notice in the design of fixtures or in packaging unless this right has specifically been waived at the time the order is accepted.

□ API3LEN4242B75B

