

Accessible Roll-in Shower API5LES7248B1B



Shower shown with available accessories
Comes standard in white, colour upgrade available

72" x 49" x 79"
5-piece for remodeling

3/4" barrier free threshold
with pre-levelled and
re-inforced shower base
for easy installation.

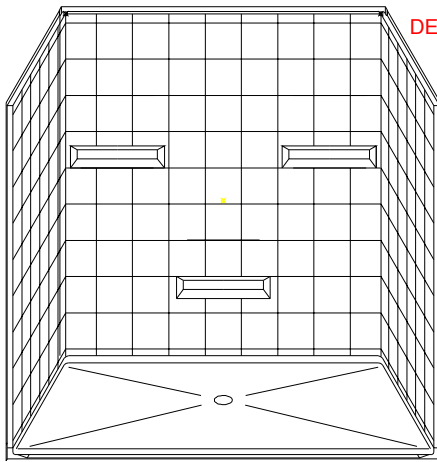
3 molded soap ledges.

Durable, luxurious and
easy to clean gelcoat fiber-
glass with 8" tile look.

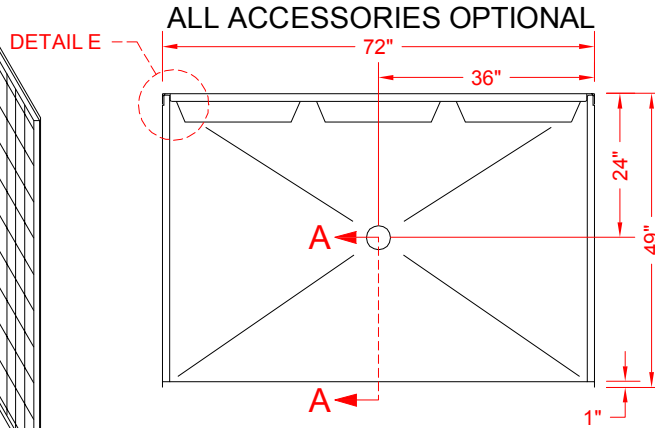
Full plywood backing in
walls offers strength and
easy installation of
accessories.

Accessories available:
Grab bars, padded folding
shower seat, collapsible
water retainer, weighted
shower curtain and rod,
glide bar with handheld
shower, pressure balance
valve, caulkless drain.

MODEL: API5LES7248B1B



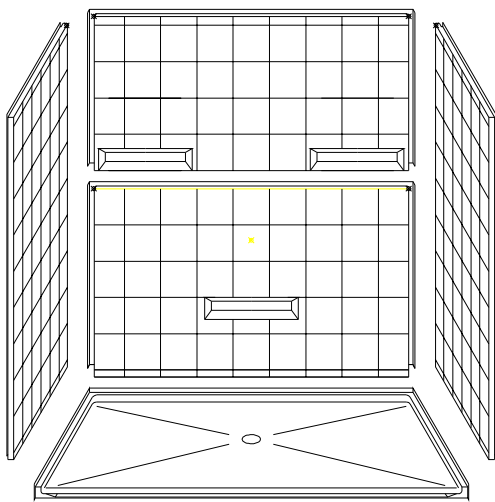
PERSPECTIVE VIEW - N.T.S.



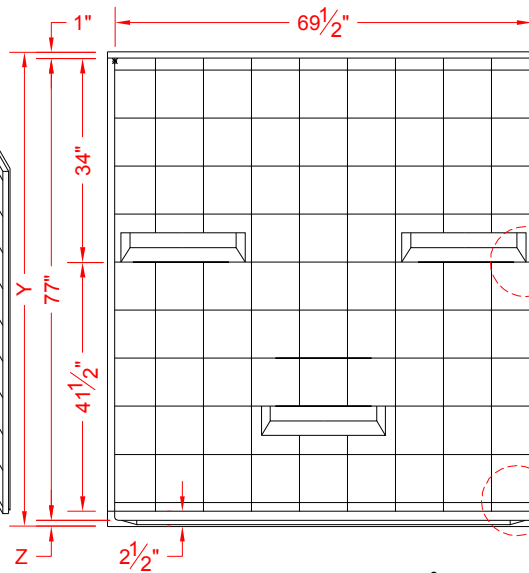
TOP VIEW - SCALE $\frac{3}{8}'' = 1'-0''$



BARRIER FREE



ASSEMBLY VIEW - N.T.S.



FRONT ELEVATION - SCALE: $\frac{3}{8}'' = 1'-0''$

Features:

- Molded, 5 piece gelcoat/fiberglass shower module
- Available in various threshold heights
- "Eight inch Tile" wall finish, white (standard)
- Integral full wood backing for strength and unlimited accessory placement
- On all threshold, heights 1-1/2" or taller, no mud set is required
- On all threshold, heights 1-1/4" or shorter, no mud set is required, but an epoxy adhesive kit is supplied

DETAIL D

*OTHER THRESHOLD HEIGHTS AVAILABLE UPON REQUEST

MODEL #	UNIT HEIGHT	THRESHOLD HEIGHT
API5LES7248B1B	Y	Z*
	79"	1" MIN.

* - SEE BACK FOR DETAIL SECTIONS

PRODUCT SPECIFICATIONS:

- Multi piece shower module shall be constructed of gelcoat/fiberglass with full integral plywood backing
- Rough-In: Stud opening +1/4" -0" Nominal Dimensions.

C.S.I. FORMAT SPECIFICATION TEXT AVAILABLE

PRODUCT INFORMATION:

ACCESSORIES:

INSTALLED BY OTHERS:

- Grab bar
- Mixing valve, pressure balanced, lever handle, preplumbed tree to supply elbow
- Curtain and rod
- Collapsible Rubber Water Retainer
- Semi-permanent Threshold Adaptor
- Caulkless drain

CODES:

- Designed and manufactured in compliance with the following standards and codes:
- A.N.S.I. Z124.2 Standards for Plastic Showers
 - I.P.C. International Plumbing Code
 - U.P.C. Uniform Plumbing Code

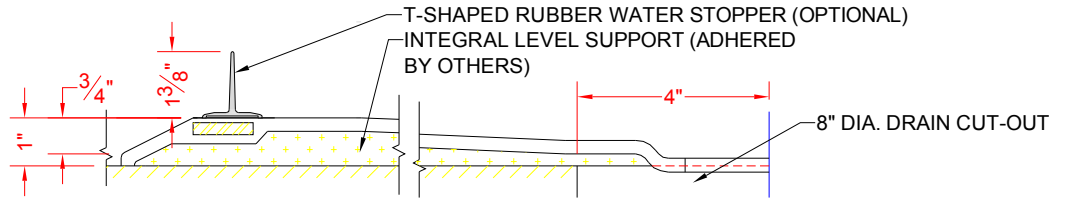
NOTICE OF LIMITATION:

1-877-947-7769

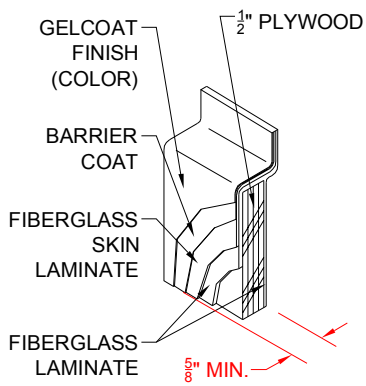
www.Accessible-Bathrooms.com

We reserve the right to make revisions without notice in the design of fixtures or in packaging unless this right has specifically been waived at the time the order is accepted.

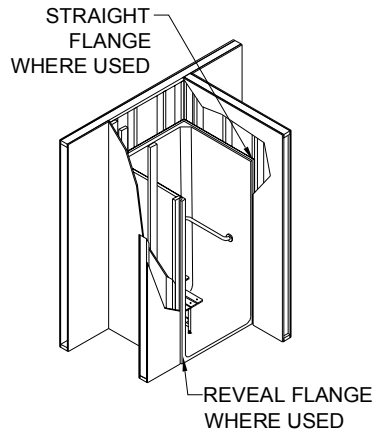
□ API5LES7248B1B



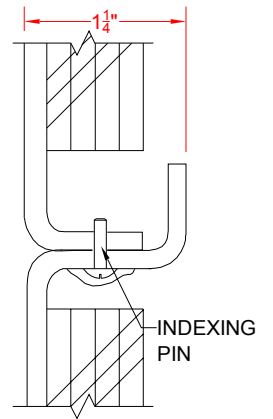
SECTION A-A - SCALE: 3" = 1'-0"



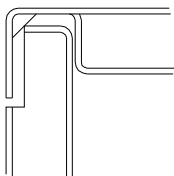
DETAIL B - SCALE: 3" = 1'-0"
WALL SECTION DETAIL



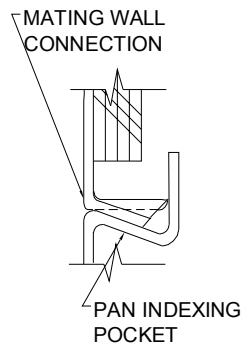
DETAIL C - SCALE: NTS
TYPICAL FRAMING



DETAIL D - SCALE: 3" = 1'-0"
PIN JOINT DETAIL



DETAIL E - SCALE: NTS
WALL JOINT DETAIL



DETAIL F - SCALE: NTS
PAN JOINT DETAIL