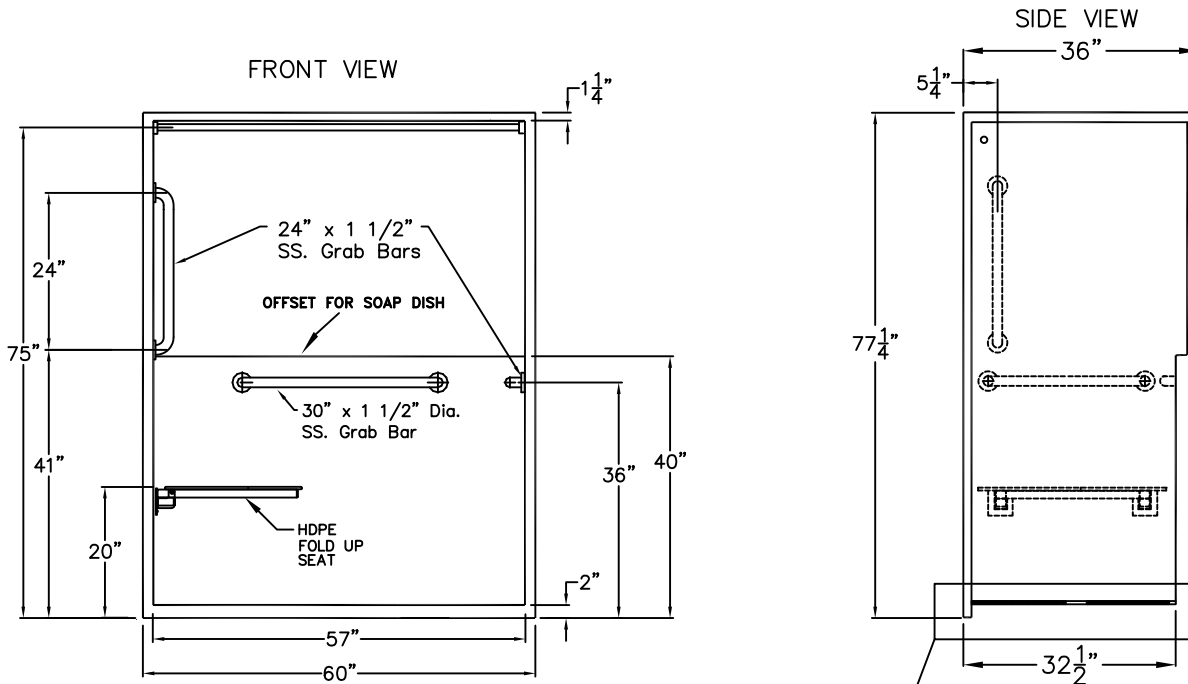


One Piece ACCESSIBLE SHOWER 60" X 36" O.D.

Submittal Information; All accessories shown are optional
 Custom submittal forms completed with each order

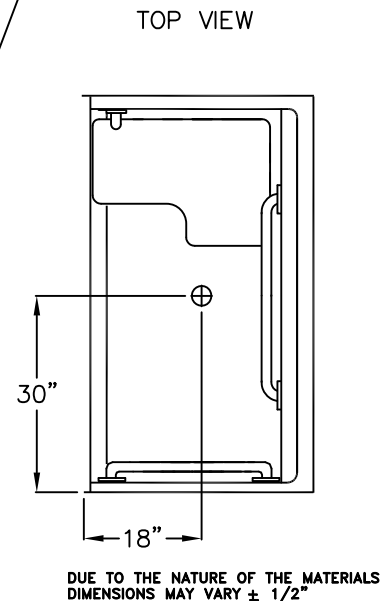
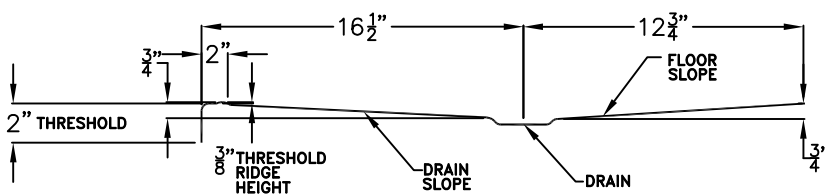


Accessible Shower Stall

The shower enclosure shall be AP Model APTG6036BF2 center, right or left. Finished surface shall be of a sanitary-grade polyester Gelcoat exhibiting a minimal thickness of 15 dry mills, and a finished cured Barcol hardness of 80-90 as tested with ASTM D-2583. Unit construction shall be of molded reinforced fiberglass with a 15% minimum fiberglass content. The unit shall have outside dimensions of 60" x 36" x 77 1/4". The base shall be attached to the sump of the unit in such a manner to form and integral part with an inner and outer coating of reinforced polyester resin. The unit shall meet HUD, BOCA, NAHB, UPC, and shall meet the requirements of Southern Building Code.

- The enclosure may be equipped with the following installed accessories:
- 1) one 30" x 1 1/2" diameter, 18 gauge stainless steel horizontal grab bar on the back wall,
 - 2) one 24" x 1 1/2" diameter, 18 gauge stainless steel horizontal grab bar on the side wall,
 - 3) one 24" x 1 1/2" diameter, 18 gauge stainless steel vertical grab bar on the seat side wall, bars with 1 1/2" statute clearance, mounted with stainless steel bolts and secured from the rear with a 3" x 3" x 11 gauge metal mounting plate,
 - 4) frameless hape fold up seat,
 - 5) 2" threshold,
 - 6) Stainless Steel curtain rod with cups, and
 - 7) a brass self caulkling drain with strainer.

2" THRESHOLD DETAIL



Job Name:	FACTORY INSTALLATION OF SHOWER ACCESSORIES IS AVAILABLE. MANY ACCESSORY OPTIONS.		
Model No.: APG6036BF2	Drawing#: G6036BF 2.0 HBW HSW VSW FHPD CR DN		
Approved by:	Date Approved:	Date: 5-1-07	Revised: 7-29-08
Rep.:	Wholesaler:	Quote No.:	