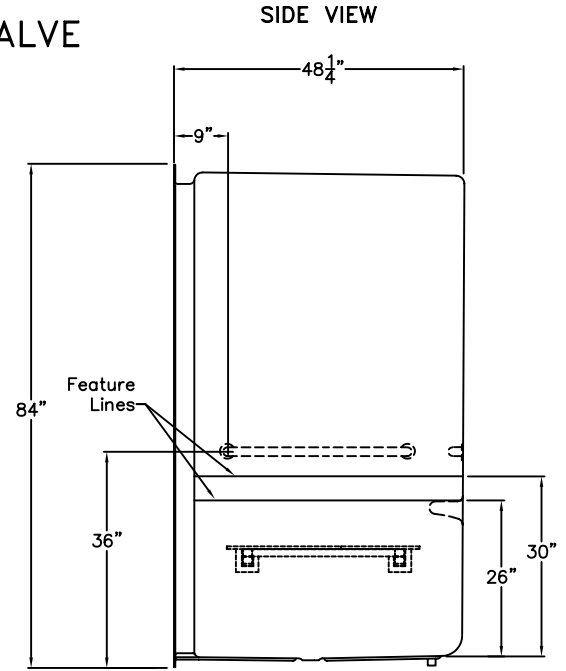
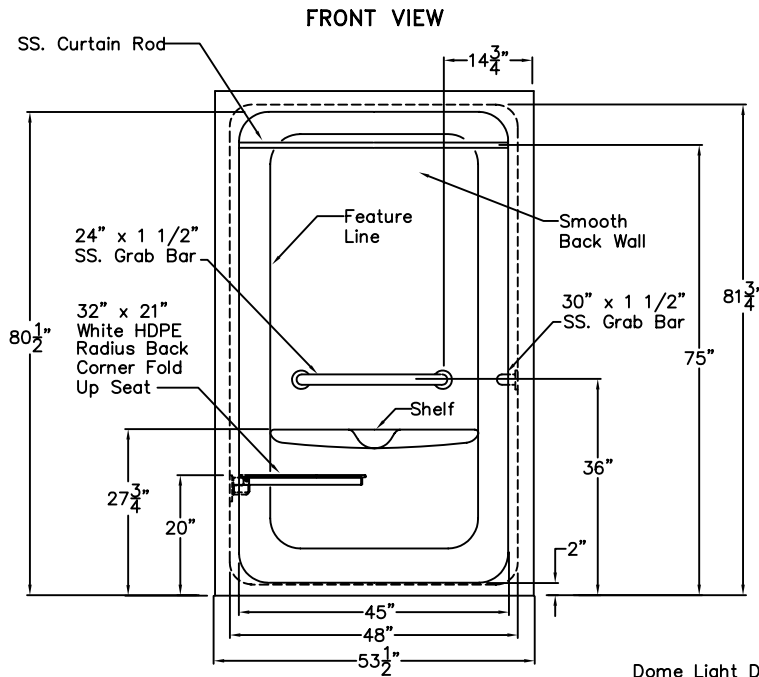
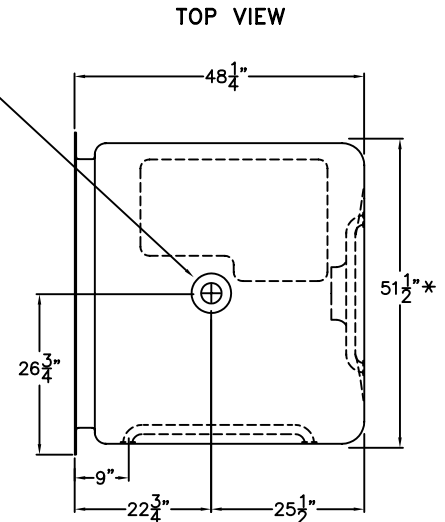


SUBMITTAL DATA
HANDED BY THE VALVE



Dome Light Drilling



Accessible Shower Stall

This shower enclosure shall be Accessibility Professionals Model # APTH4848BF2. The unit shall be molded from a single sheet of acrylic so as not to have any seams or joints. It shall meet ANSI Z124.2, NAHB, UPC and shall have the back side fire rating of "A" and a flame spread of less than 25. Unit is designed to meet FHA, HUD, and shall meet the requirements of most state and national standards on design for the disabled including Southern Building Code. Building Code. The unit shall have outside dimensions of 53 1/2" x 48 1/4" x 84".

The enclosure shall be equipped with the following factory installed accessories:

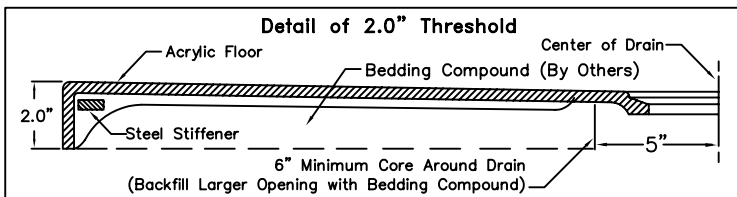
- 1) One 24" x 1 1/2" diameter stainless steel horizontal grab bar on the back wall,
- 2) One 30" x 1 1/2" diameter stainless steel horizontal grab bar on the valve wall, all with 1 1/2" clearance statute, mounted with stainless steel bolts secured from the rear with 3" x 3", 11 gauge metal backing plates,
- 3) 1" diameter 18 gauge stainless steel curtain rod, 4) Frameless 32" x 21" white HDPE Radius Back Corner fold up seat, 5) smooth back wall with no diamond pattern, feature lines on back wall and side walls, 6) Dome light, 7) 2.0" Threshold.

Available options: 1) hand held shower set includes: hand set, 60" flex hose, swivel connector, vacuum breaker, brass nipple, lock nut and shower wall outlet), 2) pressure balance valve, 3) green anti-bacterial shower curtain with hooks, 4) white shower curtain and hooks, 5) molded seat 6) recessed soap dish, 7) Nurses call box drilling.

ROUGH IN DIMENSIONS: 53 1/2" x 48 1/4" x 84"

* NOTE: THIS DIMENSION IS NOT TO SCALE. THIS DIMENSION INCLUDES NUTS/BOLTS, WOOD AND HARDWARE REQUIRED FOR ASSEMBLY.

DUE TO THE NATURE OF THE MATERIALS INVOLVED, UNIT DIMENSIONS MAY VARY ± 1/2 INCH.



Model No.:	Drawing#:	H4848 BF 2.0 HBW HSW FHDP CR DL Smooth	
Approved by:	Date Approved:	Date: 7-17-96	Revised: 6-8-11
Rep.:	Wholesaler:	Quote No.:	