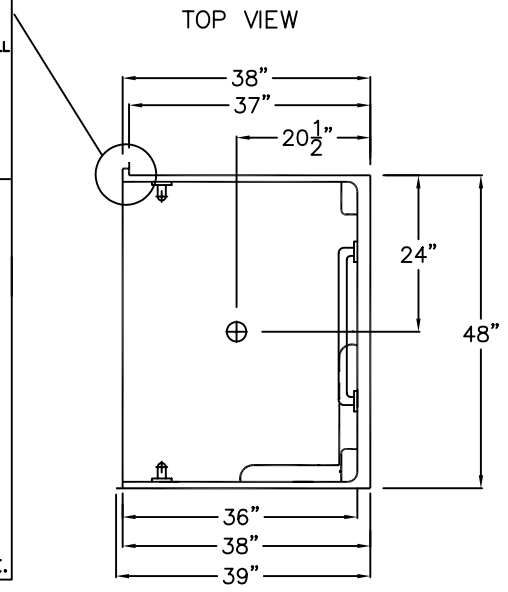
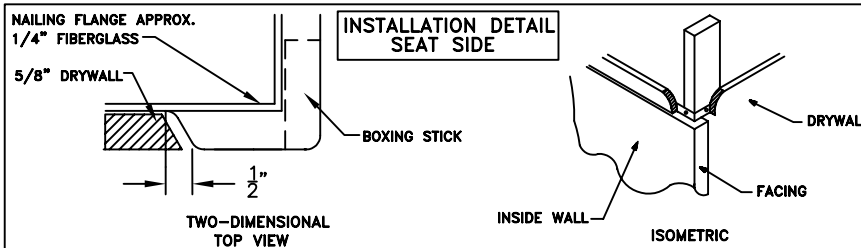
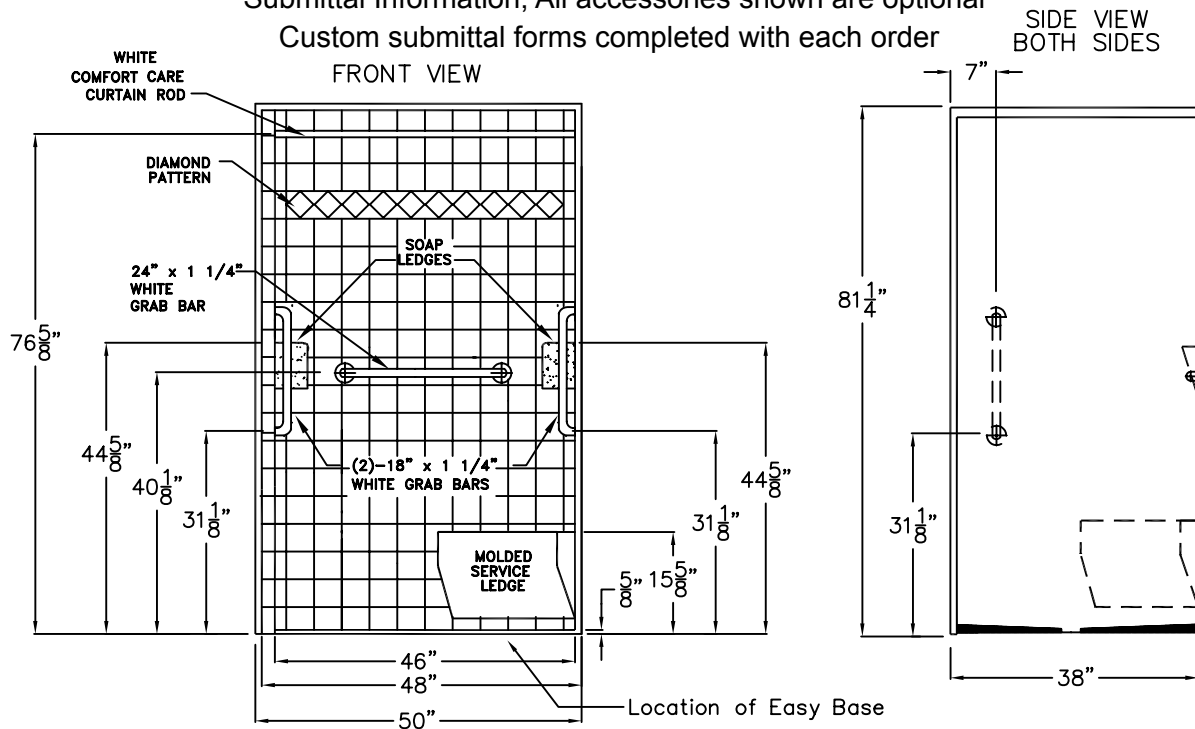


Accessible Shower 50"x38" O.D.

Submittal Information; All accessories shown are optional
Custom submittal forms completed with each order



Accessible Shower Stall

The shower enclosure shall be Accessibility Professionals Model APTXST5038BF625 right or left. Finished surface shall be of a sanitary-grade polyester Gelcoat exhibiting a minimal thickness of 15 dry mils, and a finished cured Barcol hardness of 80-90 as tested with ASTM D-2583. Unit construction shall be of molded reinforced fiberglass with a 15% minimum fiberglass content. The base shall be attached to the sump of the unit in such a manner to form and integral part with an inner and outer coating of reinforced polyester resin. The unit shall meet ANSI 124.2, HUD, BOCA, NAHB, UPC, and shall meet the requirements of Southern Building Code. Framing Coordination: Framing pocket 48" x 38". Add 1/4" to width for required installation wiggle room. Refer to Page 2 and Installation Instructions for further details.

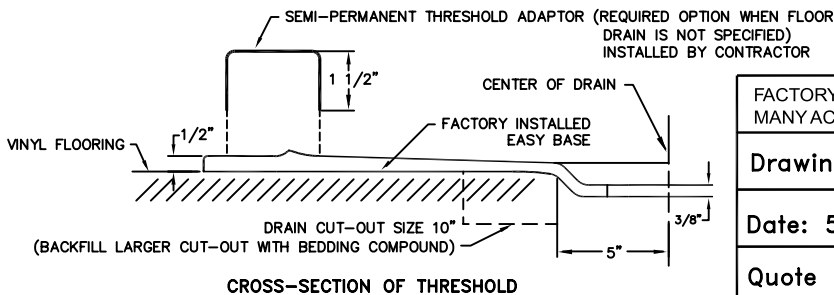
The enclosure may be equipped with the following installed accessories:

- 1) one 24" x 1 1/4" diameter, white grab bar on back wall, 2) two 18" x 1 1/4" white vertical grab bar, one on each side wall, all with 1 1/2" statute clearance, mounted with stainless steel bolts and secured from the rear with a 3" x 3" x 11 gauge metal mounting plate, 3) 1" diameter white Comfort Care curtain rod, 4) 5/8" threshold, 5) molded service ledge, 6) receiver flange, 7) two molded soap dishes, 8) diamond pattern on back wall, 9) factory installed Easy Base self sustaining bottom.

NOTE: THIS UNIT REQUIRES NO CAULK BRASS DRAIN

NOTE: THERE IS NO DRAFT ON THE TOP SIDE OF THE SOAP DISHES.

NOTE: DO NOT ROUGH-IN ON THE VALVE SIDE UNTIL THE UNIT IS RECEIVED AND IN PLACE.



DUE TO THE NATURE OF THE MATERIALS DIMENSIONS MAY VARY ± 1/2"

FACTORY INSTALLATION OF SHOWER ACCESSORIES IS AVAILABLE. MANY ACCESSORY OPTIONS.

Drawing#: APTXST5038BF625 WHBW WWSW WCR EB

Date: 5-23-00

Revised: 8-6-08

Quote No.: