

## Freedom Accessible Shower 60" x 33"

Model APF6033SH5PLR

60" x 33 3/8" x 79 1/2"

5-piece for remodeling

4" Easy Step threshold with wood base and leveling leg for easy installation

Molded soap ledge

Durable, luxurious and easy to clean gelcoat fiberglass with 8" tile pattern

Full wood backing in walls offers strength and easy installation of accessories

Accessories available:  
Grab bars, folding shower seat, weighted shower curtain and rod, slide bar with handheld shower, pressure balance valve, caulkless drain



Shower shown with available accessories  
Shower stall comes standard in white  
Made in America

Right drain shown  
30 Year Limited Warranty

# FREEDOM SHOWERS

## MODEL: APF6033SH5PLR Freedom Accessible Shower Submittal Data

### Product Features

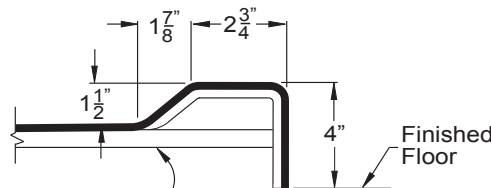
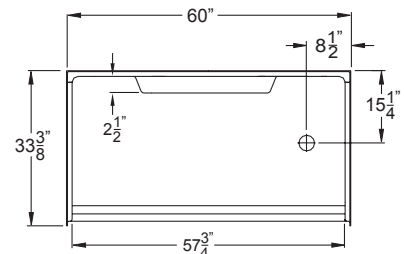
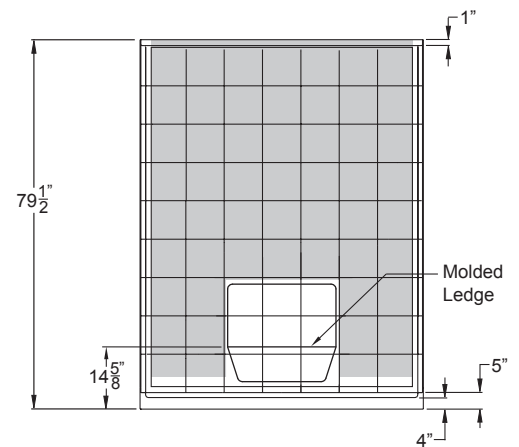
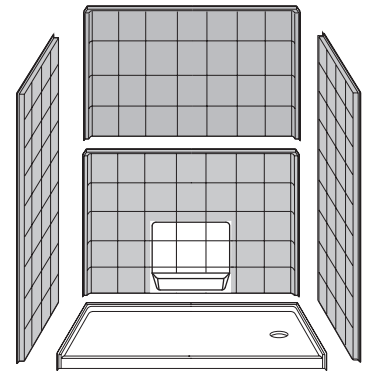
- 60" x 33 3/8" x 79 1/2"
- 5-piece for remodeling
- 4" Easy Step threshold
- Wood base with leveling leg
- Full fiberglass encapsulated wood backing on walls
- tile pattern easy to clean gelcoat finish
- Molded soap ledge
- Textured slip-resistant floor
- Left or right drain location

### Code Compliance

- IPC International Plumbing Code
- UPC Uniform Plumbing Code
- ANSI Z124.2 Standards for Plastic Showers
- CSA Canadian Standards Association

### Optional Accessories (Installed at job site)

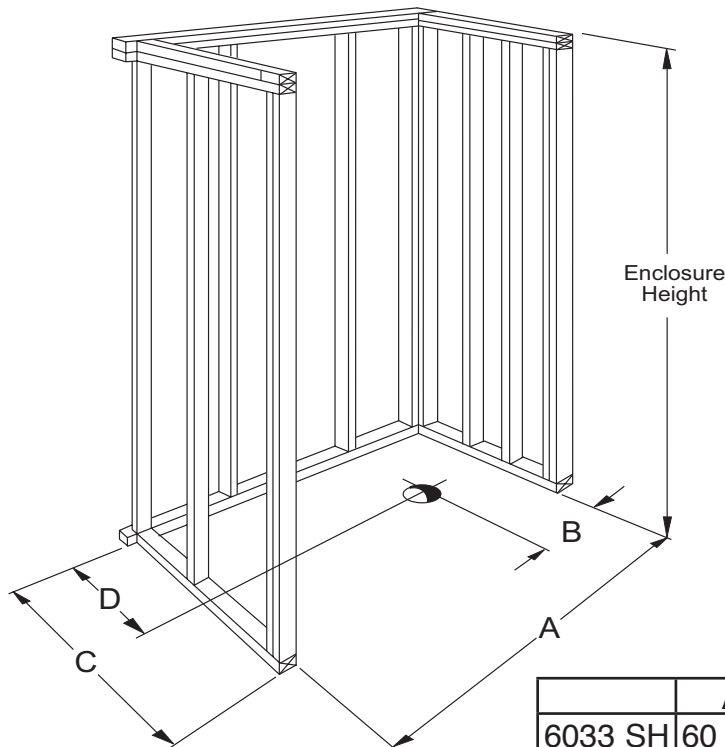
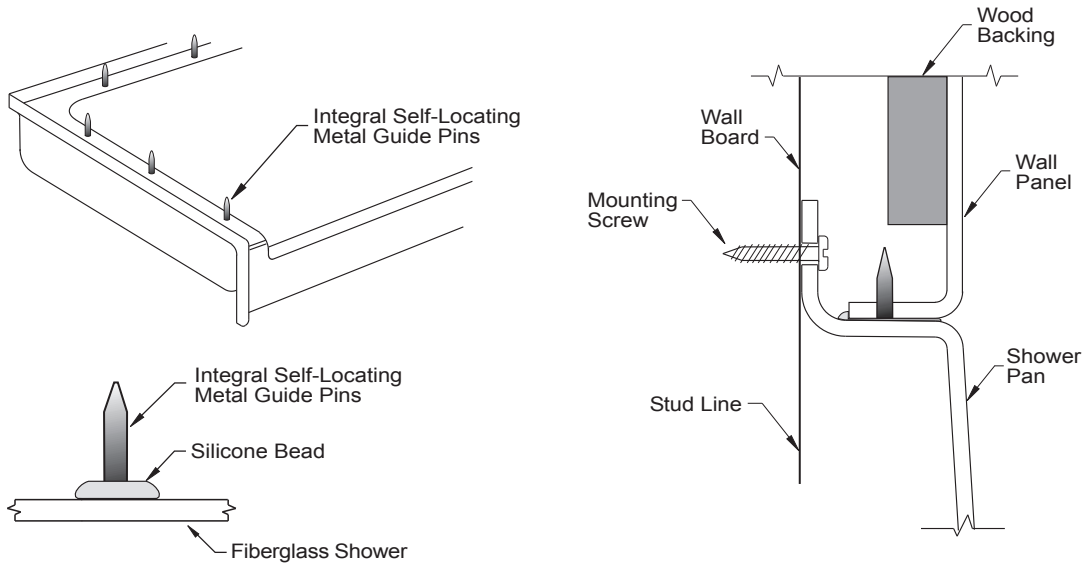
- Folding Shower Seat
- Caulkless Drain
- Grab Bars
- Shower Rod and Curtain
- Pressure Balance Valve with hand-held Shower and Slide Bar



Wood Base With Leveling Leg.  
THRESHOLD VIEW  
Wood Bottom With Leveling Leg will have the base level as it sits on the floor.

# FREEDOM SHOWERS

## MODEL: APF6033SH5PLR Freedom Accessible Shower Submittal Data - Installation



	A	B	C	D
6033 SH	60 1/4"	8 1/2"	33 3/8"	15 1/4"