



## Freedom Accessible Shower 60" x 37"



Model  
APF6036BF5PLR

60" x 37" x 78"

5-piece for remodeling

1" barrier free threshold with pre-leveled and reinforced shower base for easy installation

Molded soap ledge

Durable, luxurious and easy to clean applied acrylic with 8" tile pattern

Fully reinforced backing in walls offers strength and easy installation of accessories

Accessories available:  
Grab bars, folding shower seat, collapsible water retainer, weighted shower curtain and rod, slide bar with handheld shower, pressure balance valve, caulkless drain

- Shower shown with available accessories
- Shown right drain
- Shower stall comes standard in white
- Other wall configurations available
- Made in America
- Lifetime Limited Warranty



# MODEL: APF6036BF5PLR

## Freedom Accessible Shower

### Submittal Data

#### Product Features

- 60" x 37" x 78"
- 5-piece for remodeling
- 1" barrier free threshold
- Self-supporting and pre-leveled shower base eliminates mud setting
- Fully reinforced backing in walls
- 8" Tile pattern easy to clean applied acrylic
- 3.5" bottom soap ledge depth
- Textured slip-resistant floor
- Left or Right drain location

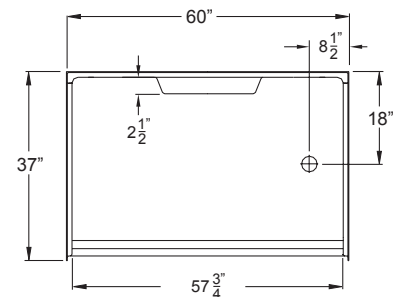
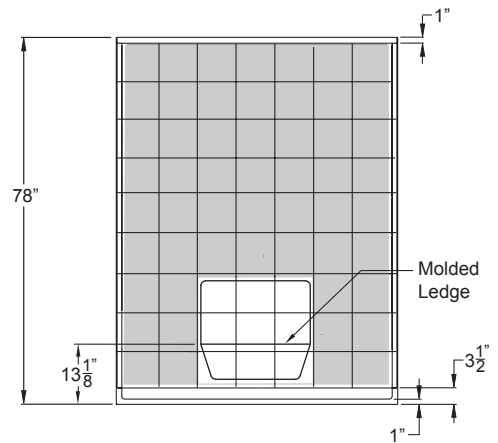
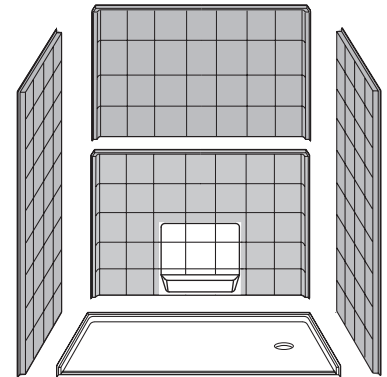
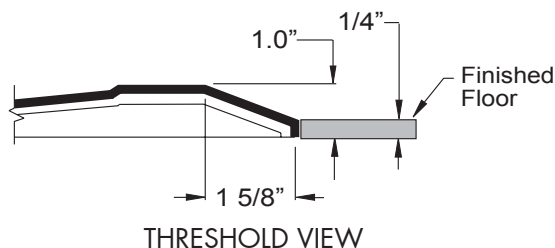
#### Code Compliance

- IPC International Plumbing Code
- UPC Uniform Plumbing Code
- ANSI Z124.2 Standards for Plastic Showers
- CSA

#### Optional Accessories (Installed at job site)

- Collapsible Water Retainer
- Folding Shower Seat
- Caulkless Drain
- Grab Bars
- Shower Rod and Curtain
- Pressure Balance Valve with hand-held

Shower and Slide Bar

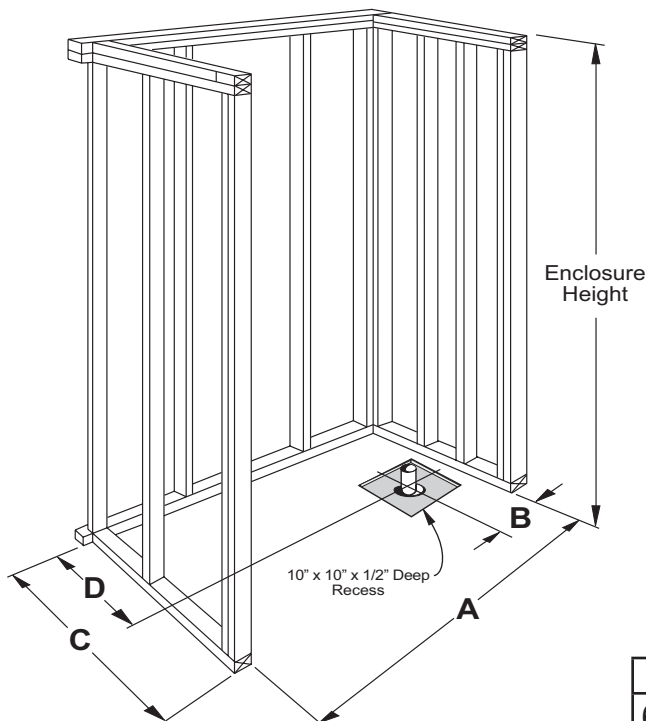
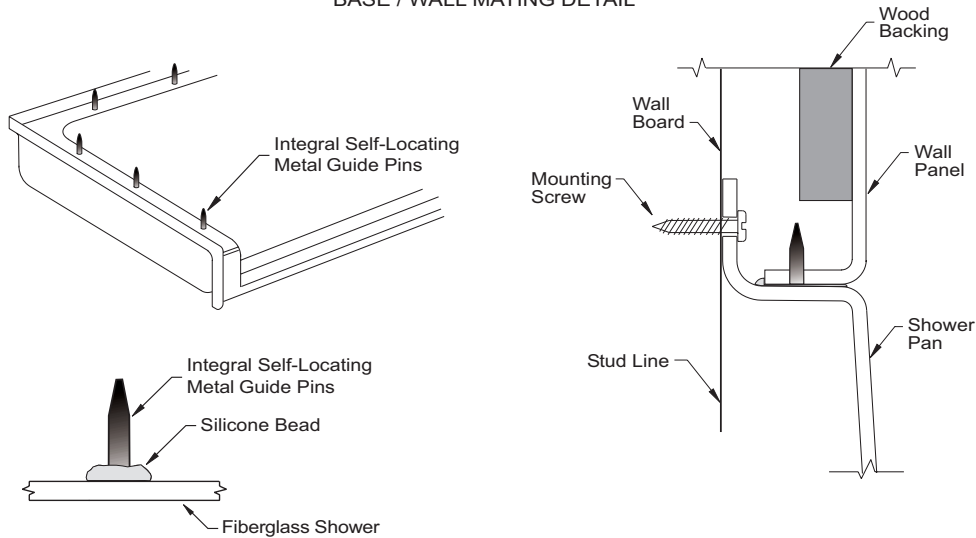


# FREEDOM SHOWERS

## MODEL: APF6036BF5PLR

## Freedom Accessible Shower Submittal Data - Installation

BASE / WALL MATING DETAIL



	A	B	C	D
6036 5P	60 1/4"	8 9/16"	37"	18"