

## Freedom ADA Transfer Shower 40" x 39"



Model APF3637BF3P  
& APFQ3637BF3P

40.25" x 38.5" x 77.375"  
36" x 36" Inside Dimension

5/8" barrier free threshold  
with pre-leveled and reinforced  
shower base for easy  
installation

Three piece for remodeling

Durable, luxurious and easy to  
clean applied acrylic

Fully reinforced backing in walls  
offers strength and easy  
installation of accessories

Recessed receiver flanges for  
48" clear floor space

ADA accessories available:  
Grab bars, folding shower  
seat, collapsible water  
retainer, weighted shower  
curtain and rod, slide bar with  
handheld shower, pressure  
balance valve, caulkless drain

Shown with optional accessories      Handed by valve, right valve shown  
Lifetime limited warranty

Shower is ADA compliant when installed with  
available ADAAG accessories.



# MODEL: APF3637BF3P ADA Transfer Shower

Also model APFQ3637BF3P

## Submittal Data

### Product Features

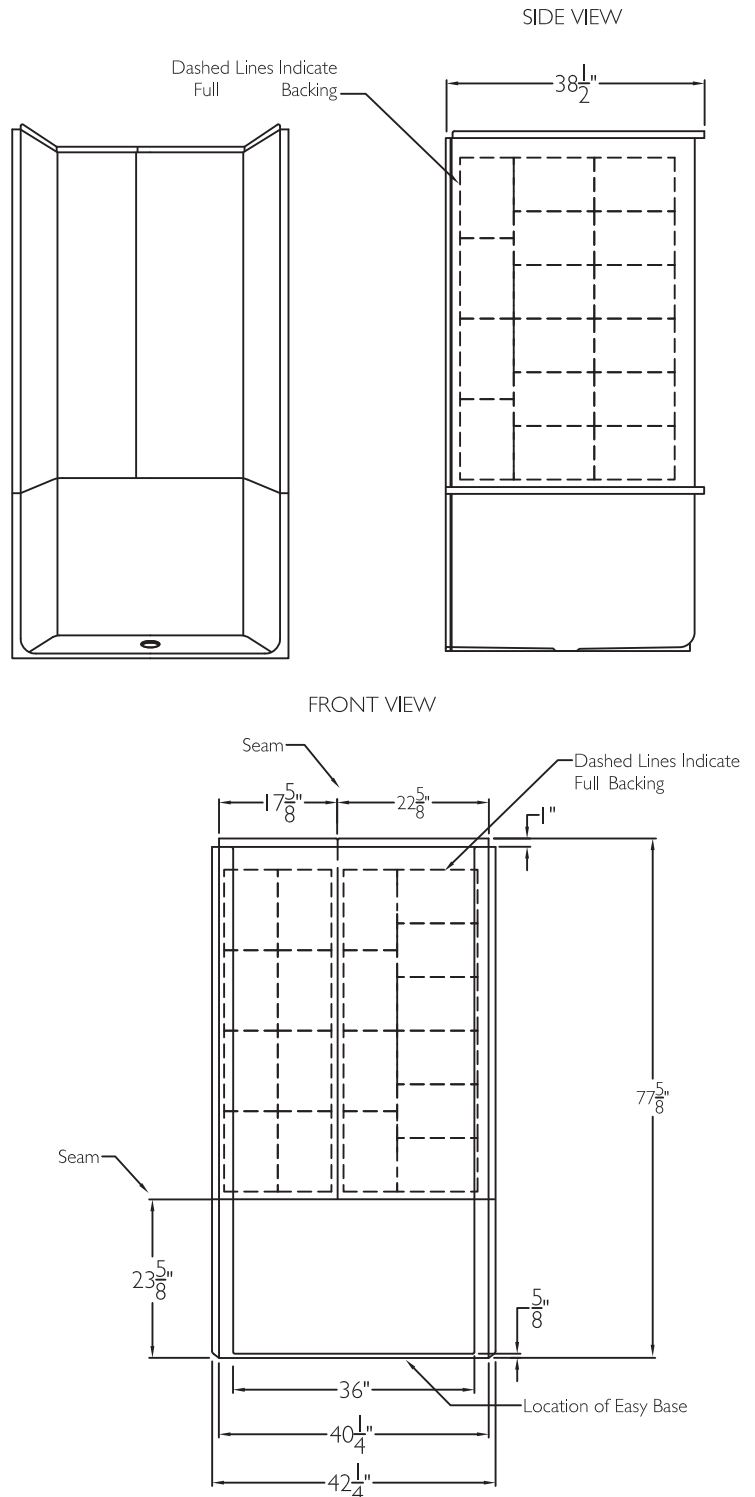
- 40.25" x 38.5" x 77.375"
- 5/8" barrier free threshold
- Self-supporting and pre-leveled shower base eliminates mud setting
- Fully reinforced backing on walls
- Easy to clean applied acrylic
- Textured slip-resistant floor
- Center drain location
- Lifetime manufacturer limited warranty

### Code Compliance

- IPC International Plumbing Code
- UPC Uniform Plumbing Code
- ANSI Z124.2 Standards for Plastic Showers
- ADA Accessibility Guidelines for Buildings and Facilities
- ANSI A117.1 Accessible and Usable Buildings and Facilities
- CSA approved
- MAS
- TAS
- Recessed receiver flanges

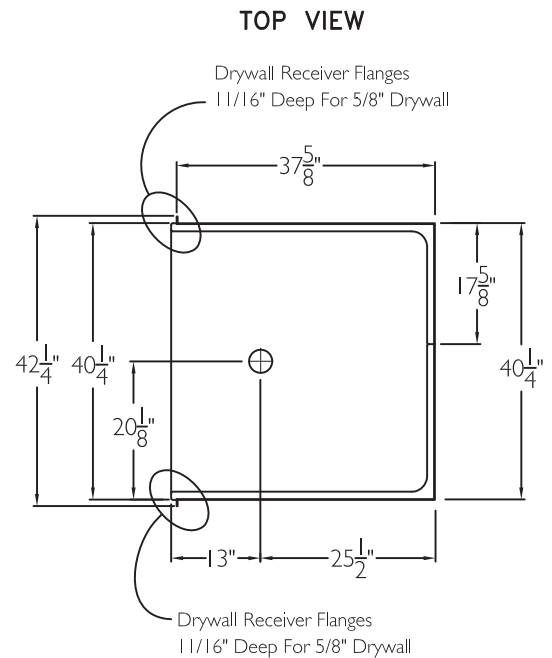
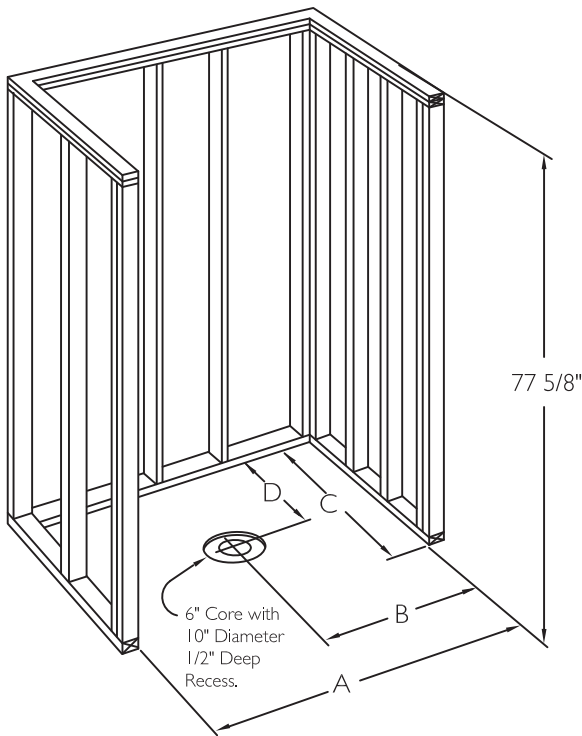
### Optional Accessories

- Collapsible Water Retainer
- Folding Shower Seat
- Caulkless Drain
- Grab Bars
- Shower Rod and Curtain
- Pressure Balance Valve with hand-held Shower and Slide Bar



# FREEDOM SHOWERS

## MODEL: APF3637BF3P & APFQ3637BF3P Freedom ADA Transfer Shower Submittal Data - Installation



A	B	C	D
40 1/4"	20 1/8"	37 5/8"	25 1/2"

Install shower into a recessed pit,  
or build up floor.

