

Freedom ADA Roll In Shower 63" x 38"



Model APF6437BF75
APFQ6437BF75

63" x 38 1/2" x 80 3/4"
60" x 36" Inside Dimension

3/4" barrier free threshold
with pre-leveled and
reinforced shower base for
easy installation

One piece for new
construction

3 molded soap ledges

Durable, luxurious and easy
to clean applied acrylic with
tile pattern

Fully reinforced backing in walls
offers strength and easy
installation of accessories

ADA compliant accessories
available: grab bars, folding
shower seat, collapsible water
retainer, weighted shower
curtain and rod, slide bar with
handheld shower, pressure
balance valve, caulkless drain

Shown with optional accessories Handed by seat, left seat shown
Lifetime limited warranty

Shower is ADA compliant when installed with
available ADAAG accessories.

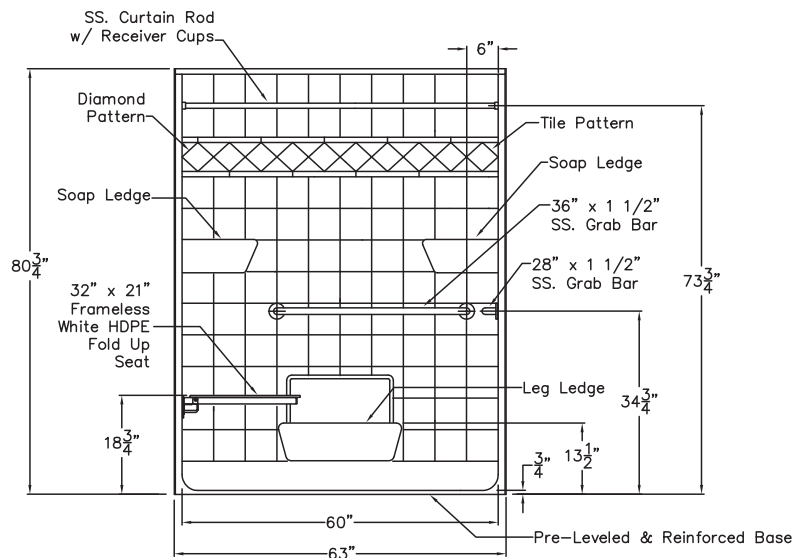
FREEDOM SHOWERS

MODEL: APF6437BF75 Accessible Shower

Submittal Data

Product Features

- 63" x 38 1/2" x 80 3/4"
- 3/4" barrier free threshold
- Self-supporting and pre-leveled shower base eliminates mud setting
- Fully reinforced backing on walls
- Tile pattern easy to clean applied acrylic
- 3 molded soap ledges
- Textured slip-resistant floor
- Center drain location

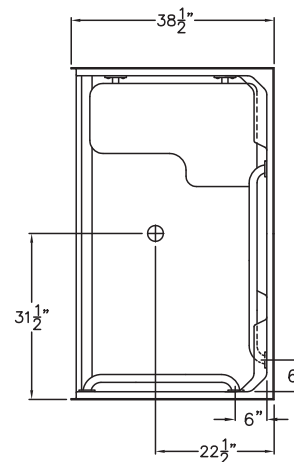


Code Compliance

- IPC International Plumbing Code
- UPC Uniform Plumbing Code
- ANSI Z124.2 Standards for Plastic Showers
- ADA Accessibility Guidelines for Buildings and Facilities
- ANSI A117.1 Accessible and Useable Buildings and Facilities
- MAS
- CSA

Optional Accessories

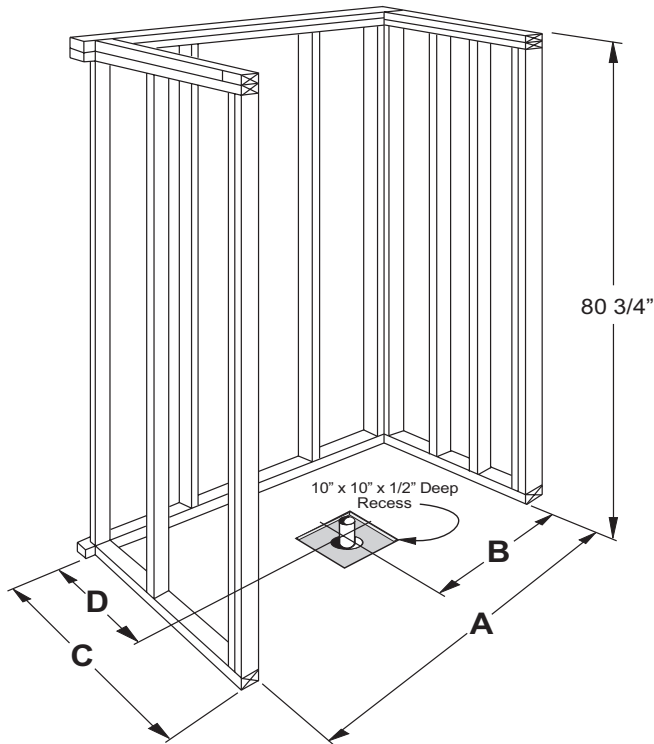
- Collapsible Water Retainer
- Folding Shower Seat
- Caulkless Drain
- Grab Bars
- Shower Rod and Curtain
- Pressure Balance Valve with hand-held Shower and Slide Bar



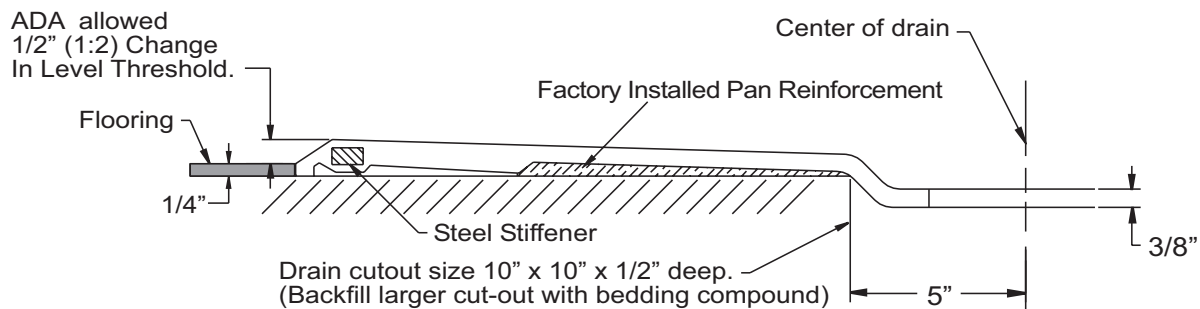
Handed by seat, left seat shown
With optional ADA accessories

FREEDOM SHOWERS

MODEL: APF6437BF75 Freedom Accessible Shower Submittal Data - Installation



	A	B	C	D
APF6437	63 1/4"	31 5/8"	38 1/2"	22 1/2"



Detail Of Threshold